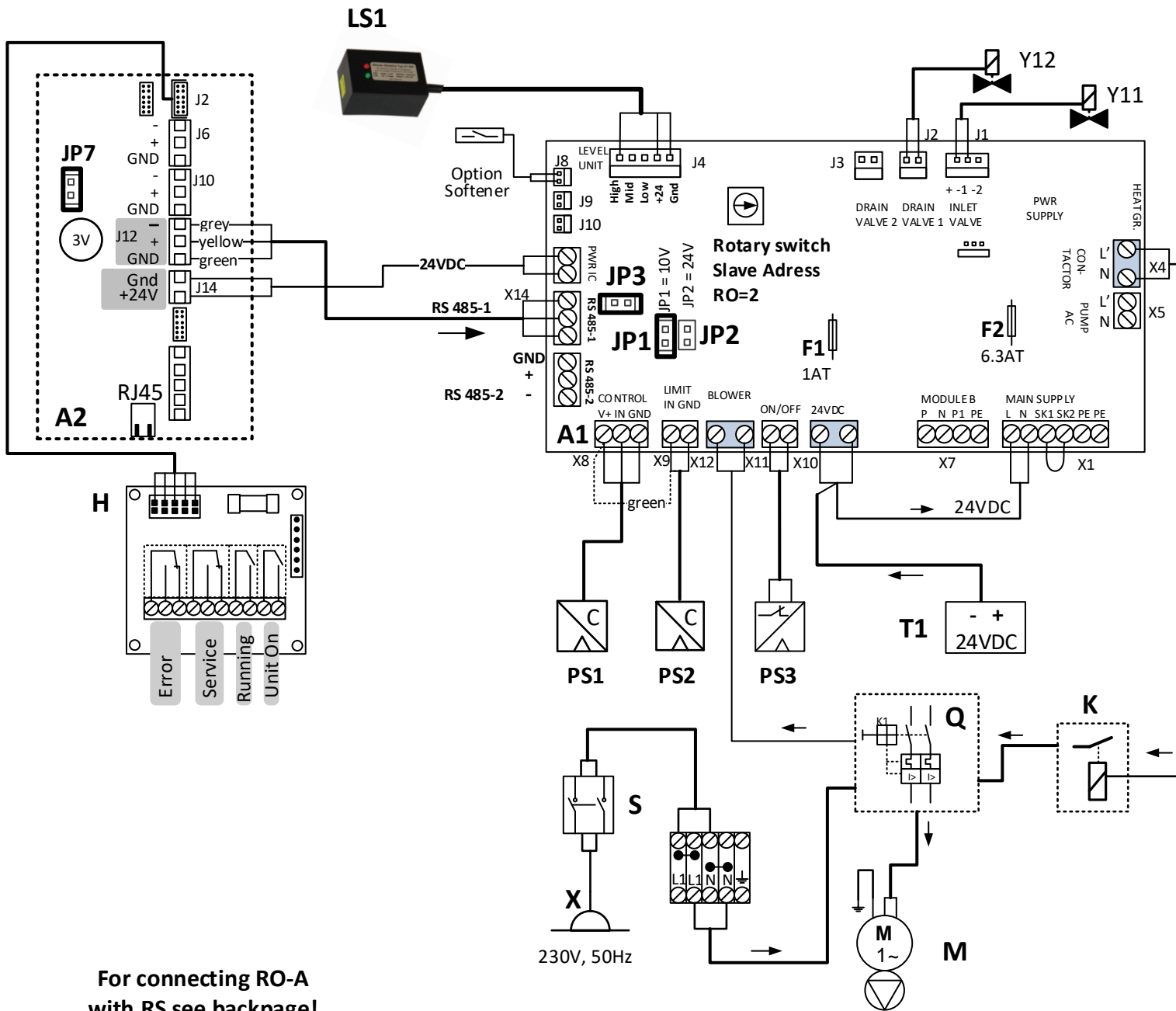


- A1** Driverboard RO-A
- A2** Controller RS (Steam Humidifier)
- A3** Driverboard RS (Steam Humidifier)
- F1** Fuse 1AT
- F2** Fuse 6.3A
- H** Operation and fault Indication (Option)
- JP1** Jumper connected means 5V on X8
- JP2** **Warning:** Do not use this jumper
- JP3** Bus (Jumper only for last Participant)
- JP7** Jumper Modbus (remove for Bacnet)
- K** Motor Relay Pump
- LS1** Leak controller (Option)
- M** Motor with Pump
- PS1** Pressure Sensor Tap Water (Inlet)
- PS2** Pressure Sensor RO Water (Vessel)
- PS3** Max. Pressure Switch Pump (Outlet)
- Q** Motor Protecting Switch
- S** Main Switch
- S1** Rotary Switch RO-A (set to 2)
- S2** Rotary Switch RS (set to 0)
- T1** Internal Power Supply 24VDC
- X** Appliance Inlet (Male Connector)
- Y11** Inlet Valve Tap Water
- Y12** Drain Valve VE Water

For connecting RO-A with RS Single Units «L» and Double Units 2x «M» see manual!

For connecting RO-A without RS see backpage!



- A1** Driverboard RO-A
- A2** Controller (CPU) with Display RO-A
- F1** Fuse 1AT
- F2** Fuse 6.3AT
- H** Operation and fault Indication (Option)
- JP1** Jumper connected means 5V on X8
- JP2** **Warning:** Do not use this jumper, 24V!
- JP3** Bus (Jumper only for last Participant)
- JP7** Jumper Modbus (remove for Bacnet)
- K** Motor Relay Pump
- LS1** Leak controller (Option)
- M** Motor with Pump
- PS1** Pressure Sensor Tap Water (Inlet)
- PS2** Pressure Sensor RO Water (Vessel)
- PS3** Max. Pressure Switch Pump (Outlet)
- Q** Motor Protecting Switch
- S** Main Switch
- S1** Rotary Switch RO-A (set to 2)
- T1** Internal Power Supply 24VDC
- X** Appliance Inlet (Male Connector)
- Y11** Inlet Valve Tap Water
- Y12** Drain Valve VE Water

For connecting RO-A  
with RS see backpage!